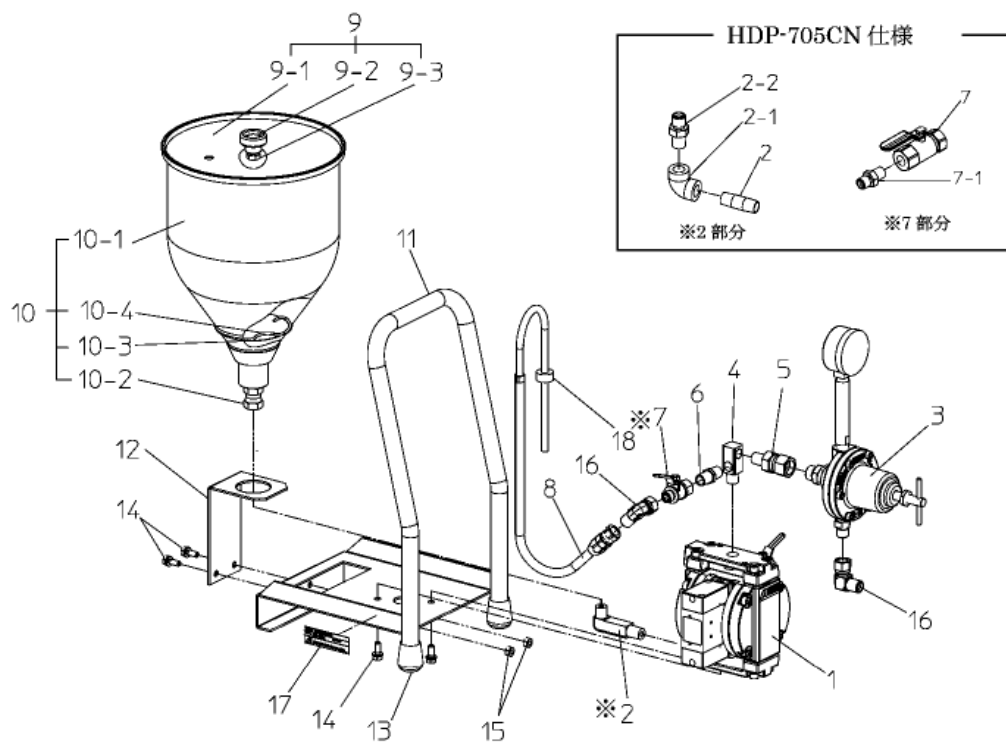


HDP-705C/-705CN  
 ダイアフラムペイントポンプ  
 DIAPHRGM PAINT PUMP



## HDP-705C

## DIAPHRAGM PAINT PUMP

## PAGE - 2

CAT.	NO.	PART CODE	DESCRIPTION	Q'TY	UNIT	SIZE
	1	DDP-70B	DIAPHRAGM PUMP	1		
	2	96859549	LONG ELBOW	1		G1/4xR1/4
	3	PR-5B	PAINT REGULATOR	1		
	4	94430580	JOINT	1		
	5	96859557	UNION	1		G3/8xR1/4
	6	96642002	NIPPLE(1/4)	1		R1/4 SUS
	7	94432630	BALL VALVE	1		
	8	94493621	DRAIN HOSE SET	1		
	9	HDP-705C-3	LID SET	1		
	9-1	94424631	LID	1		
	9-2	96993441	KNOB	1		M8メスネジ
	9-3	96994757	BOLT	1		M8x12 SW
	10	HDP-705C-4	HOPPER SET	1		
	10-1	94496660	HOPPER	1		
	10-2	96859002	UNION	1		G1/4xR1/4
	10-3	94934620	FILTER #50 (2PCS/PK)	1	P	
	10-4	94144452	SUCTION FILTER RETAINER	1		
	11	94495620	BASE ASSY	1		
	12	94425631	STAY	1		
	13	96995221	FOOT RUBBER	2		
	14	96137616	BOLT WITH WASHER	4		M6x16 W+SW
	15	96382066	HEXAGON NUT	2		M6
	16	96859561	ELBOW UNION	2		G1/4 SUS
	18	94446530	DRAIN PIPE GUIDE	1		