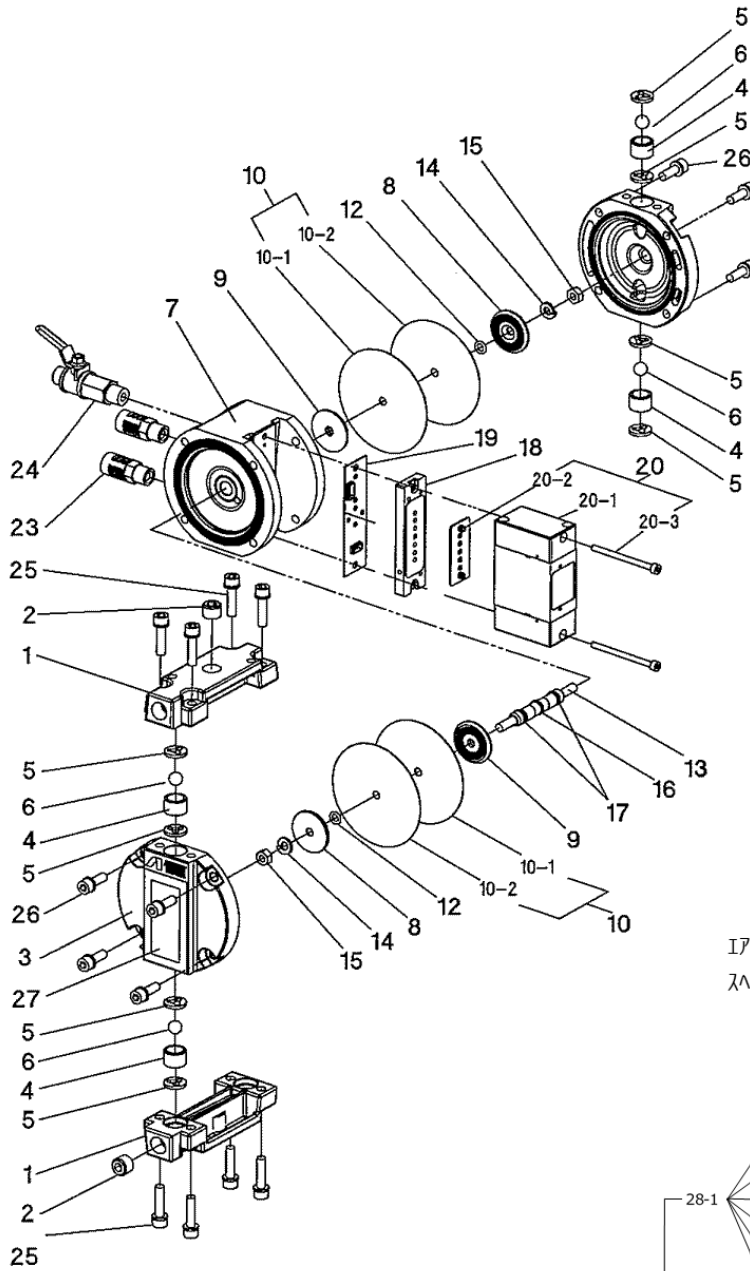
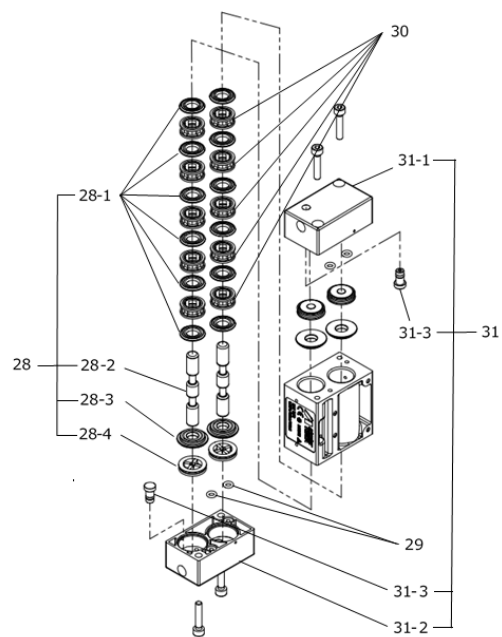


DDP-70B / DDP-70BN



エア操作バルブ AIR OPERATING VALVE  
 スペアパーツセット SPARE PARTS SET



ご注意 NOTICE

No.28 スペアパーツセット は従来仕様のスペアパーツセットの構成部品とは互換性ありません。メンテナンスの際は必ず構成部品全て交換してください。

No.28 SPARE PARTS SET is not compatible with the components of the spare parts set of conventional specification. Please replace all the sure components for maintenance.

## DDP-70B

## DIAPHRAGM PUMP

## PAGE - 2

CAT.	NO.	PART CODE	DESCRIPTION	Q'TY	UNIT	SIZE
	1	94400583	ADAPTOR	2		
	2	96990412	PLUG	2		R1/4
	3	94402581	LID	2		
	4	94932310	SEAT(2PCS/PACK)	2	P	
	5	94932320	PACKING(4PCS/PACK)	2	P	
	6	94932330	BALL(2PCS/PACK)	2	P	SUS 3/8'
	7	94943570	MAIN BODY	1		
	8	94401592	DIAPHRAGM HOLDER OUTER	2		
	9	94402592	DIAPHRAGM HOLDER INNER	2		
	10	94932340	DIAPHRAGM	1		
	10-1	DDP-70B-1	DIAPHRAGM FOR DDP- 120	1		
	10-2	DDP-70B-2	DIAPHRAGM OUTER	1		
	12	96630006	O RING	2		P6 NBR
	13	94405581	ROD	1		
	14	96362060	SPRING WASHER	2		M6 SUS
	15	96361060	HEXAGON NUT	2		M6 SUS
	16	96996640	PSD PACKING	1		
	17	96996611	Y SHAPE PACKING	2		
	18	94944571	SUB PLATE	1		
	19	94405591	GASKET	1		
	20	94409651	AIR OPERATING VALVE	1		
	20-1	DDP-70B-3	AIR OPERATING VALVE	1		
	20-2	94409660	PACKING	1		
	20-3	96356503	HEX SOCKET HEAD BOLT	2		M4x55
	23	94432590	MUFFLER	2		
	24	94427591	BALL VALVE	1		
	25	96357500	WASHER BOLT	8		M6x25 SW
	26	96357501	HEX SOCKET HEAD BOLT WITHWASHER	8		M6x16 SW
	27	NOCODE1	MODEL NAME PLATE	1		
	28	94427651	SPARE PARTS SET	1		
	29	94932520	O RING	1		S-4
	30	94009070	SPACER ASSY	1	P	
	31	94009120	CAP BUTTON ASSY	1		
	0	96996720	OILLESS BEARING	2		