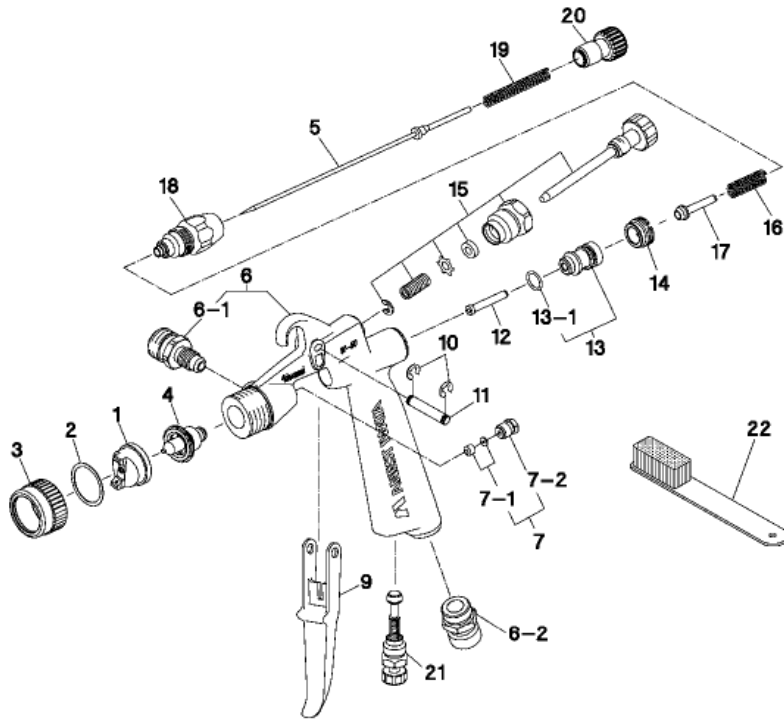


W-50-136BGC



W-50-136BGC SPRAY GUN

PAGE - 2

CAT.	NO.	PART CODE	DESCRIPTION	Q'TY	UNIT	SIZE
	1	93017990	AIR CAP ASSY	1		
	2	93558600	AIR CAP PACKING HP G SERIES	1		
	3	93018010	COVER	1		
	4	93018020	FLUID NOZZLE 13	1		
	5	93886600	FLUID NEEDLE ASSY	1		
	6	93018030	BODY SET	1		
	6-1	93005891	FLUID JOINT	1		
	6-2	93660301	AIR NIPPLE	1		G1/4B
	7-1	93940881	NEEDLE PACKING ASSY	1		
	7-2	93001892	NEEDLE VALVE SPRING SEAT	1		
	7	93940890	FLUID PACKING ASSY	1		
	9	93162890	TRIGGER	1		
	10	93912030	E STOPPER (2PCS/1PK)	1	P	
	11	93167890	TRIGGER STUD	1		
	12	93006881	AIR VALVE SHAFT	1		
	13	93912880	AIR VALVE SEAT SET	1		
	13-1	96638005	O-RING HP G3/G5	1		KS5 NBR
	14	93011881	AIR VALVE SEAT SCREW	1		
	15	93888600	PATTERN ADJ SET HP-G6	1		
	16	93012880	AIR VALVE SPRING	1		
	17	93013881	AIR VALVE	1		
	18	93936880	FLUID ADJ. GUIDE	1		
	19	93015880	NEEDLE VALVE SPRING	1		
	20	93018050	FLUID ADJ. KNOB	1		
	21	93845531	AIR ADJUST SET HP-G6	1		
	22	93019720	BRUSH	1		